



Features:

- The LCD provides a large, .98", 3-1/2 digit display.
- Decimal point user selectable
- Eng. units user selectable
- Neg. Blue, Green or Red backlighting available
- Snap-in panel mounting
- Large .98" digits for easy viewing
- Gasket and clamp provided for optional NEMA applications

Specifications:

Display:	Digits:	3 1/2 digits (±1999 counts)
	Type:	0.98" (24.9 mm) 7 segment LCD
	Polarity:	Automatic, "-" displayed
	Annunciators:	°F, °C, PSI, %, user selectable
	Decimal Points:	3 position, user selectable
	Overload:	Three lower order digits blank for inputs >1999 & <-1999
Inputs:	Ranges:	200mV, 5V, 10V
Performance:	Accuracy:	±0.05% of Full Scale + 1 count
	Conversion Rate:	3 per second
	Normal Mode Rejection:	>30 db @ 60 Hz
	Adjustments:	Span (gain)(2) (10V and 5V) and Zero (offset)
	Warmup:	10 minutes typical
	Temperature Coeff.:	± 100 ppm per °C typical
	Offset Range:	-1999 to +1999
	Gain Range:	1-1000 (custom ranges available)
Environment:	Operating Range:	-10 to 50 °C
	Storage Range:	-40 to 75 °C
Power Supply:	24V or 12V @ 10mA	B/L 24 Vdc
Mounting:	Snap-in panel mount or clamp and gasket	
Connection:	4 screw terminal	
	6 screw terminal	with backlight option

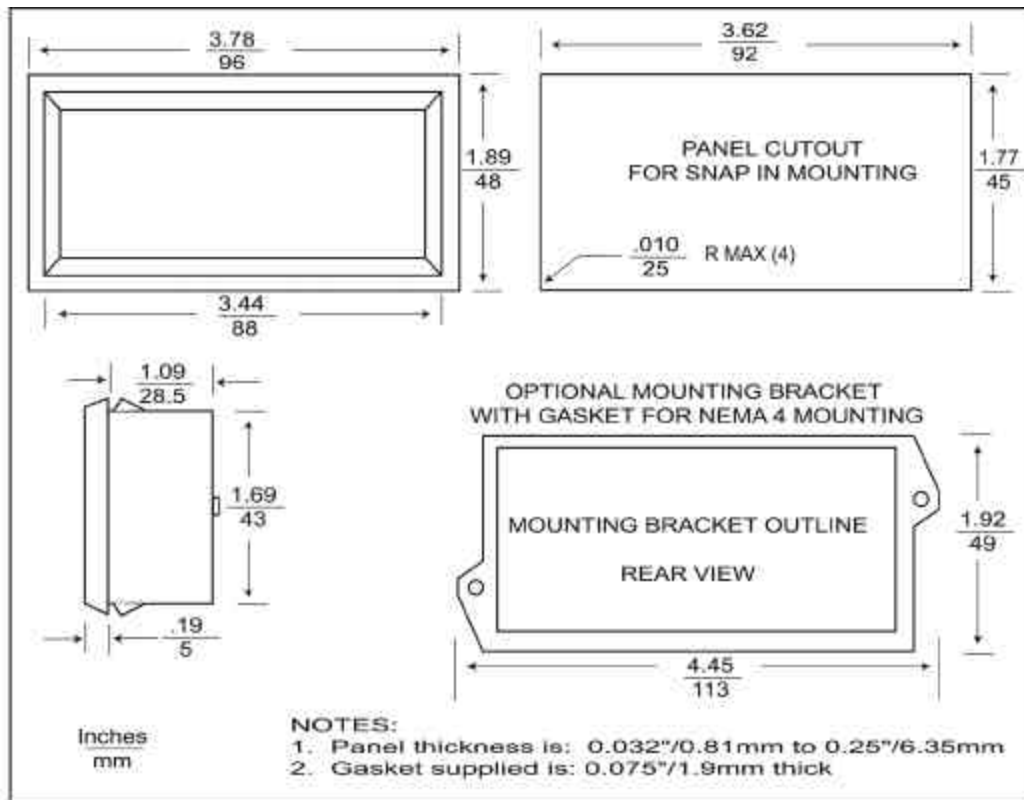
Ordering Information:

Voltage Powered Large Digit LCD DPM Part Numbering

ORDERING INFORMATION	
MODEL	DESCRIPTION
DK809	Standard LCD
DK759	NEG. BLUE B/L LCD
DK859	NEG. RED B/L LCD
DK959	NEG. GREEN B/L LCD
PW2-5	Regulated 120V AC to 5V DC Power Supply
PW2-12	Regulated 120V AC to 12V DC Power Supply
PW2-24	Regulated 120V AC to 24V DC Power Supply



Dimensions



Wiring

